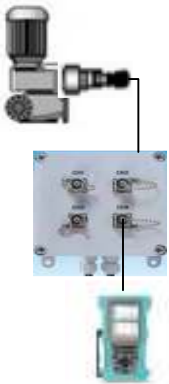


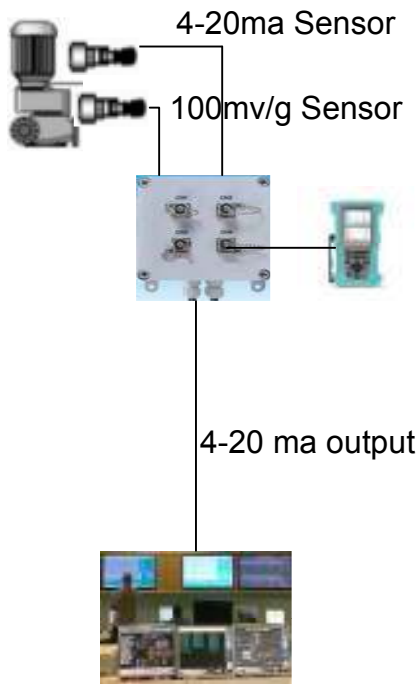
# Various Solutions of Monitoring Systems

**1-4 Test Points  
Junction Box**



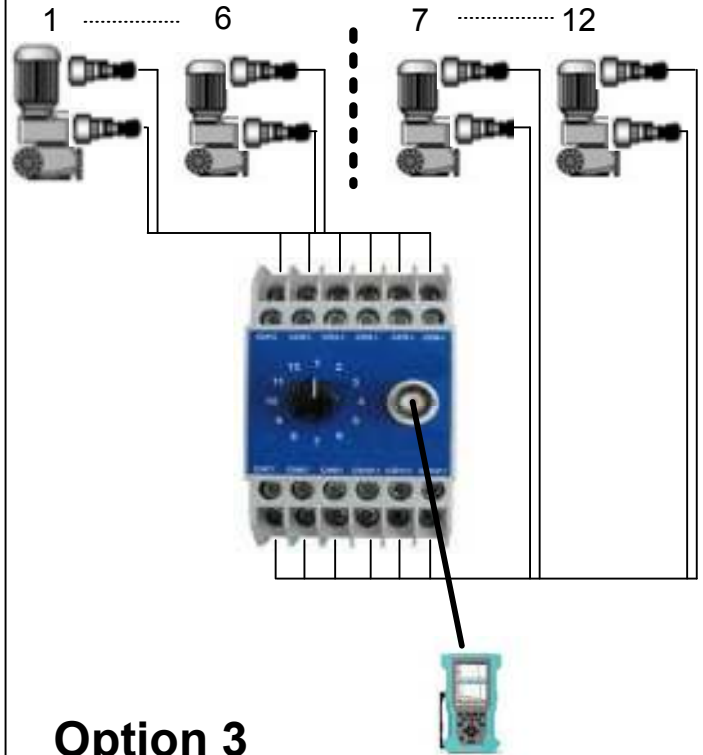
**Option 1**

**1-4 Test Points  
Junction Box with 4-20ma  
Channel**



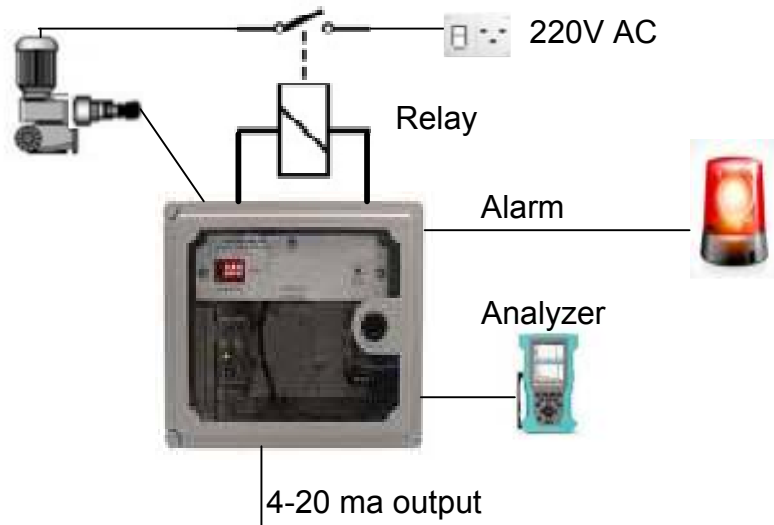
**Option 2**

**1-12 Test Points  
Switch Junction Box**



**Option 3**

**1-6 points Monitoring system**



**Option 4**